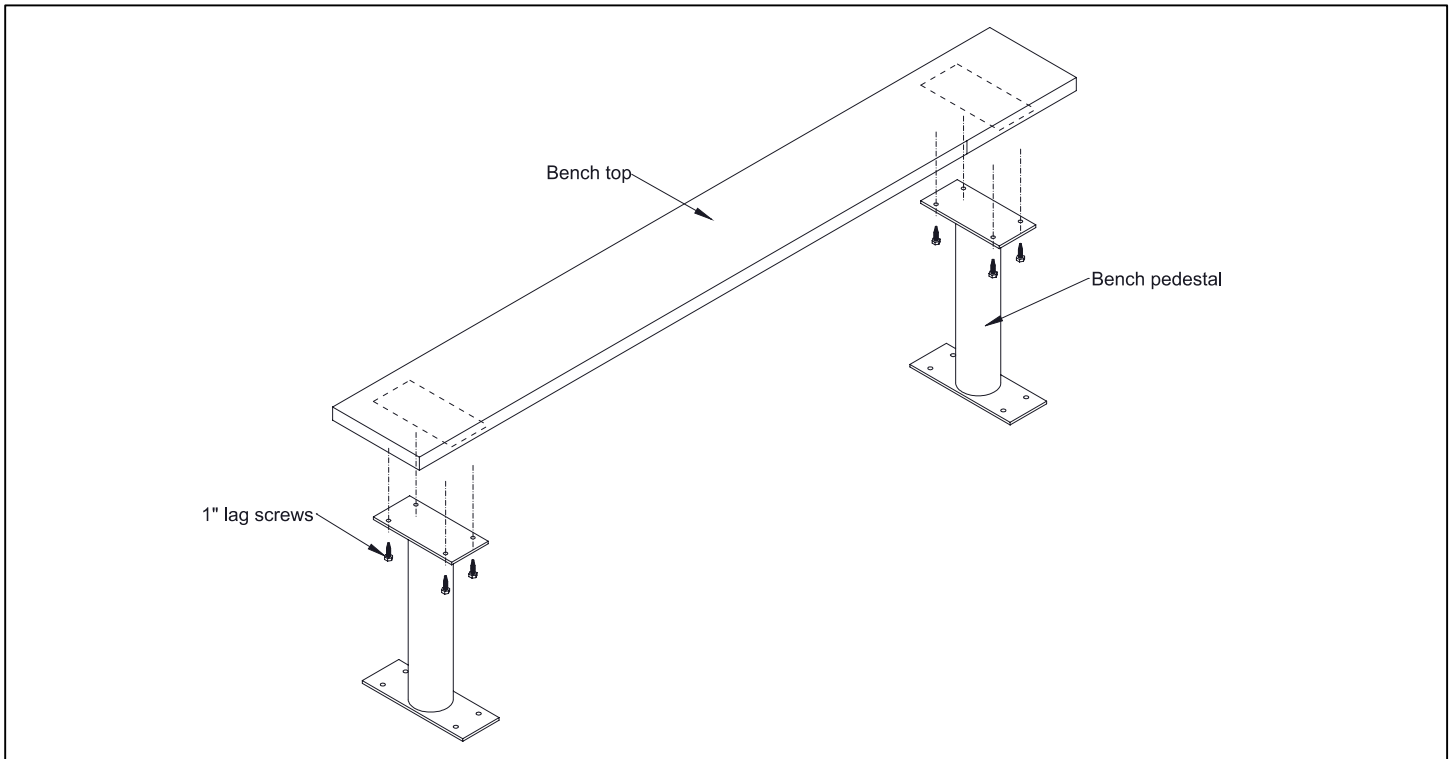


# Wood Locker Benches

## Assembly & Installation Instructions

Thank you for selecting Salsbury wood locker benches. We are confident that the quality and construction of this product will provide years of maintenance free use.



### Preliminary Notes

There are two basic steps to assembly and installation:

1. The bench pedestals must be assembled to the bench top.
2. The bench assembly must be bolted to the floor.

***Failure to bolt the bench assembly to the floor could result in injury to persons sitting on the bench.***

Since various types of floors require different types of fasteners, floor installation hardware is not provided. Eight (8) 1/4" x 1" long lag screws are provided for fastening the bench pedestals to the bench top.

Two bench pedestals are provided for each bench top. On 3', 4', 5' and 6' long benches, the center of each bench pedestal should be installed 6" from each end of the bench top. On 7' and 8' long benches, the center of each bench pedestal should be installed 12" from each end of the bench top.

### Assembly

1. Place the bench top upside down on a flat surface, so that the pre-drilled holes are facing up.
2. Position end plate of one bench pedestal at one end of the bench top, aligning holes in bench pedestal plate with holes in bench top. Drive four (4) lag screws (provided) through bench pedestal plate and into bench top using a 7/16" socket on a socket wrench.
3. Position end plate of other bench pedestal at other end of the bench top, aligning holes in bench pedestal plate with holes in bench top. Drive four (4) lag screws (provided) through bench pedestal plate and into bench top using a 7/16" socket on a socket wrench.

***Complete the installation by fastening the assembled bench to the floor.***

### SALSBURY INDUSTRIES

18300 Central Avenue, Carson, CA 90746-4008  
Phone: 1-800-562-5377 Int'l Phone: 323-846-6700  
Fax: 1-800-562-5399 Int'l Fax: 323-846-6800  
www.lockers.com engineering@lockers.com